



Compatible with Most Generators.

UNIVERSAL AVR

Specialist in AVR

CF-15A

100-1000KW



CF-12A

50-200KW



CF-8A

10-100KW



Note: The KW is only for reference.

CF-15A

Universal 15 Amp 1/2 Wave Self Excited
Dip-Switch Programmable Automatic
Voltage Regulator

Features

- $\pm 0.5\%$ Regulation
- 220/400 VAC Programmable Input
- Rugged Compact Design
- With Under Frequency Protection
- Soft Start Voltage Ramping
- EMI Suppression
- Built-in High Capacity 15Amp Fuse



Specifications

Sensing Input	Voltage	220/400VAC, 1phase2wire	Voltage Build-up	Residual volts at AVR terminal > 5VAC
Power Input	Voltage	180~240VAC, 1phase2wire	External Volts Adjustment	$\pm 7\%$ with 1K Ω 1 watt trimmer
Output	Voltage	Max. 90VDC @ 240VAC input	Soft Start Ramp Time	3sec.
	Current	Continuous 6A Intermittent 12A for 10SEE.	Unit Power Dissipation	Max. 8Watt
	Resistance	Min. 10 Ω Max. 100 Ω	EMI Suppression	Internal Electromagnetic Interference Filtering
			Thermal Drift	0.05% per $^{\circ}\text{C}$ change in AVR ambient
			Under Frequency Protection (Factory Settings)	60Hz system presets knee point at 57Hz 50Hz system presets knee point at 47Hz

Volts Regulation $\pm 0.5\%$ (with 4% engine governing)

Environment

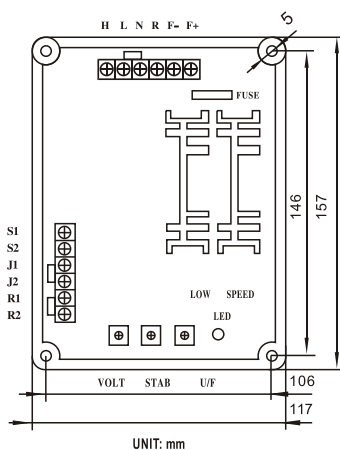
Vibration 3G @ 100~2K Hz

Relative Humidity < 95%

Operating Temperature -40~65 $^{\circ}\text{C}$

Storage Temperature -40~85 $^{\circ}\text{C}$

Mechanical Specifications



AVR Controls

VOLTS Voltage Adjustment

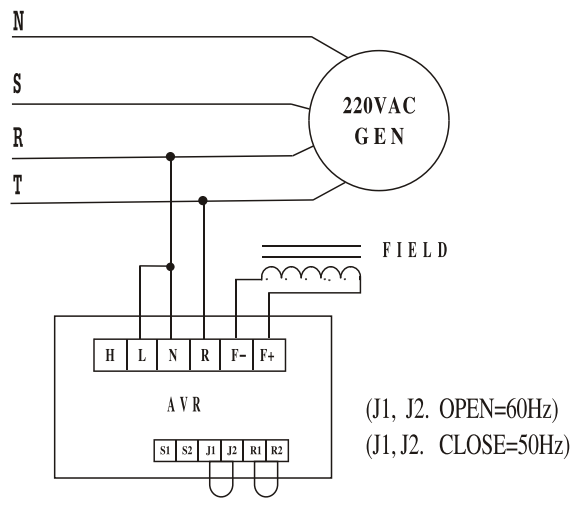
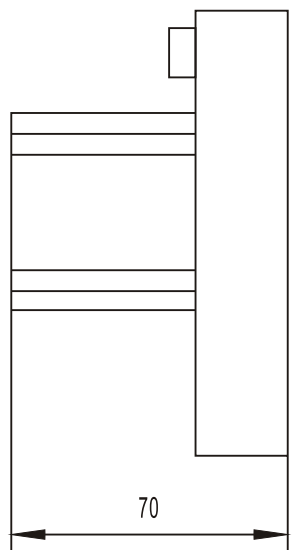
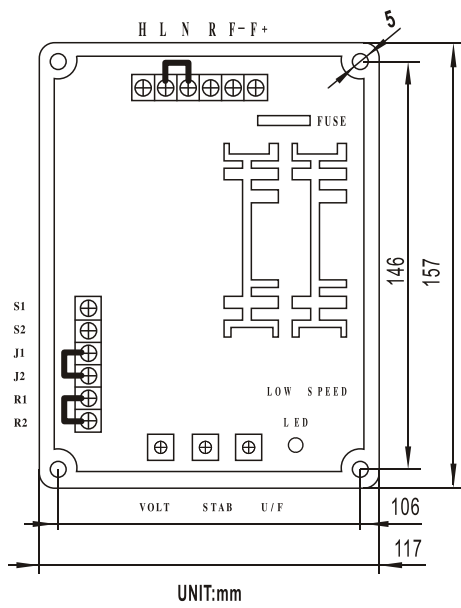
STAB Stability Adjustment

U/F To Set the U/F* Knee Point

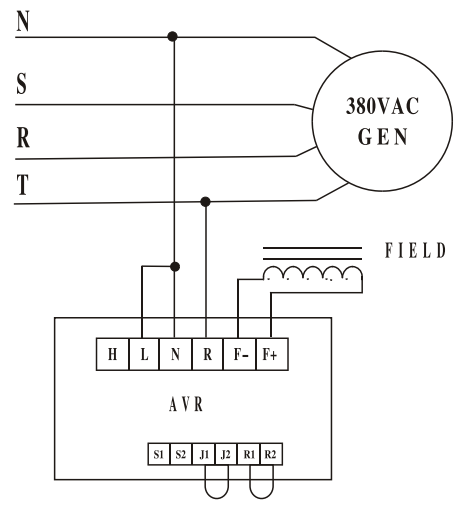
*U/F: Under Frequency Protection

Physical Specifications

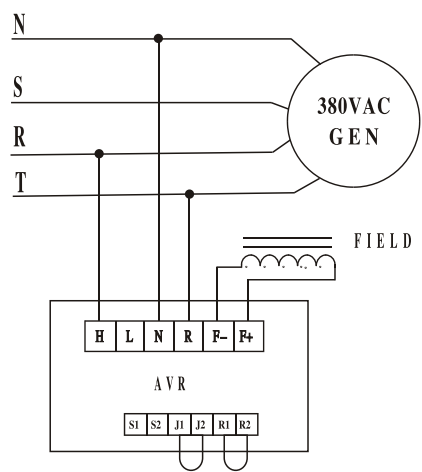
Dimensions 157.0(L) 117.0(W) 70.0(H) mm



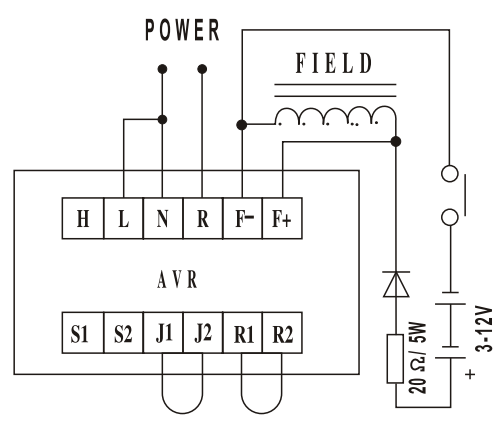
(1)



(2)



(3)



(4)