

# Be42-N

## AMF & ATS + Generating Set Controller State-of-the-art generating set controller

### Description

The Be42-N is a high performance, cost effective 3-phase A.T.S. & Generator Controller. It displays all parameters involved in the automation of a Generating Set. A serial interface RS485-MODBUS is provided for remote monitoring. The software allows you to program, monitor and calibrate measurements. Windows XP (\*) compatible control software provided. The Be42-N features 7 operating modes and complies with NFPA-110 specifications. It is the ideal solution for low cost applications in case the engine provides only switches for Oil / Temperature and Fuel monitoring & Protection.

### Key Features

- AC True R.M.S. measurements
- 140 programmable parameters & settings
- RS485 and MODBUS RTU protocol
- 3-Phase A.M.F & A.T.S. controller



- Generator Current Monitoring
- Programmable inputs with 26 options for each
- Programmable outputs with 48 options for each

### Front Panel features

- 13 LEDs, 12 Pushbuttons, 4-digit Display
- Manual control of the contactors & LED indicators
- 5 Display menus and 7 Operating modes selection
- Allows 4-character password protection
- Complete set of operating and alarm messages
- Aac, Vac, Hz, Vdc, R.P.M. indications, h-meter
- All measurements may be calibrated in the field

### Miscellaneous features

- RS485 Port: MODBUS RTU compatible
- Low-power consumption: less than 2W
- Same Cut-out as the Be21: 190x93mm
- Dimensions/Weight: 224x105x70 / 850gr.
- 3-Years full warranty, cost effective
- IP protection: IP54 (IP20 at rear)
- Connections: two-part removable Plug & Socket



### Specifications

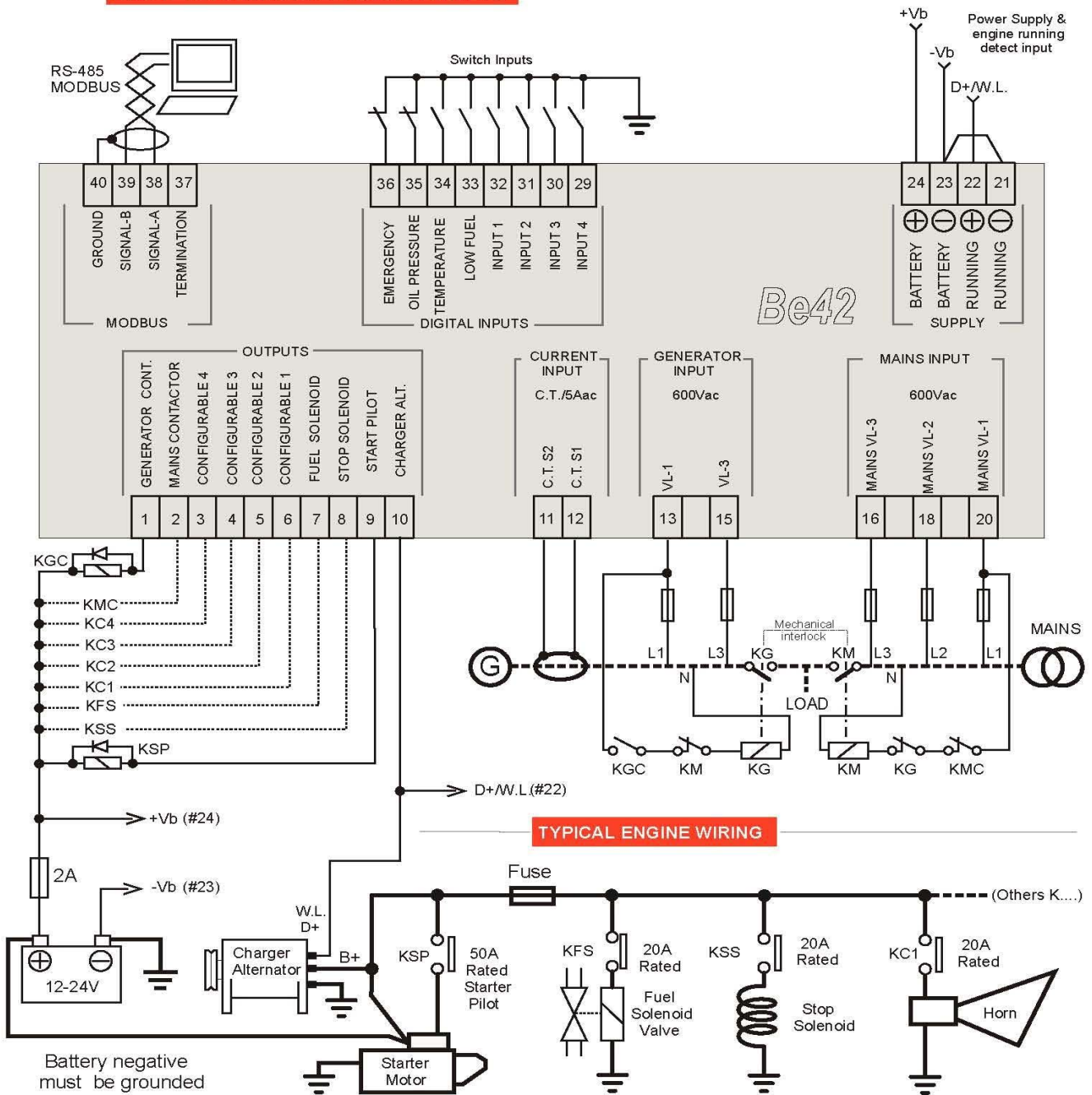
- Vdc Supply: 5.0Vdc up to 36Vdc / 2W max
- Vac Mains & Generator: 70Vac up to 600Vac
- Frequency Range: 15Hz up to 90Hz
- AC Measurements accuracy: +/-1%
- Generator Current Input: 0 up to 8Aac
- Static Outputs: 300 mA/100Vdc, short circuit protected
- Programmable digital inputs trigger threshold
- Operating Temperature Range: -30°C up to +70°C

Jabbour DataKom sari (JDK)  
St. Michel Street, Medawar Area,  
Jabbour Bldg.  
Beirut - Lebanon  
Tel: +961 1 580758, +961 1 564640  
Fax: +961 1 585115  
e-mail: info@jabbourpower.com  
website:  
www.jabbourdatakom.com

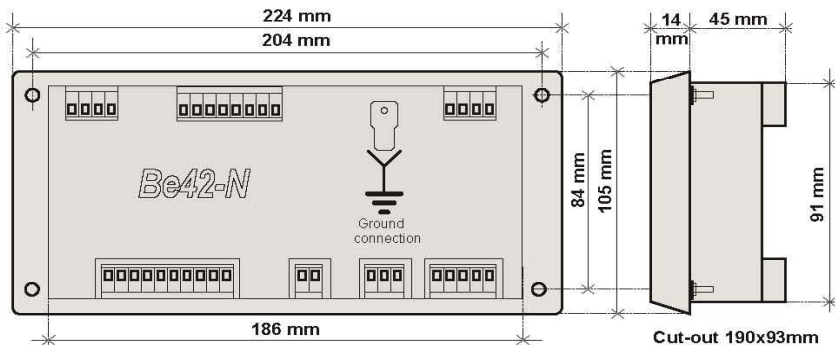
**BERNINI**  
design

Bernini Design reserve the right to change specification without notice

**Be42-N REAR VIEW & TYPICAL APPLICATION**



**BE42-N DIMENSIONS**



**MISCELLANEOUS**

- Shipping Dimensions: 130x250x60mm
- Shipping Weight: 880Gr.
- Operating Temperature: -30°C/+70°C
- Performance Specs: NFPA-110
- Connectors: removable Plug & Socket
- Grounding: 1/4" Blade terminal

